

CURVED POP-UP EXHIBITION DISPLAY STAND

The curved pop-up display stand provides fast and easy deployment. It is supplied with self-adhesive kickers and hangers, which are fastened with hooks. The stand is sold with 18 vertical bars, 5 hangers (673 mm (26.50 in.)), 3 kickers (673 mm (26.50 in.)) and a 30-m (32.81-yd) magnetic tape. Spotlights are available as an option. Size of the image to be printed: 673 mm by 2230 mm (26.50 in. x 87.80 in.).

↘ Container version (SC3X3C)

The stand (structure and graphic) is stored in a rigid container on 2 wheels to ensure optimum protection. The container can be used as a reception desk thanks to a thin, 3-mm laminated wooden table top, which is stored inside the container. It is also possible to attach a graphic of 787 mm x 1775 mm (30.98 in. x 69.88 in.) (includes a 25-mm (0.98-in.) Velcro® overlap) to the container. The container may be locked with a padlock.

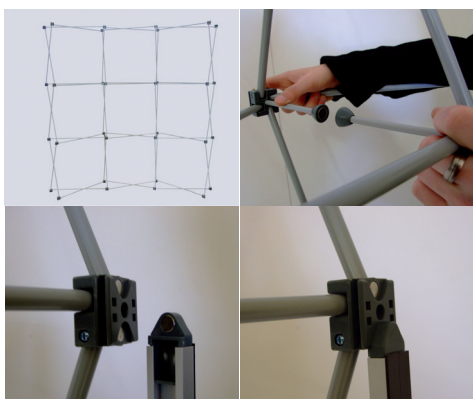
↘ Bag version (SC3X3H)

The stand is stored in a round, reinforced canvas transportation bag, fitted with 2 wheels and a retractable handle for easy and effortless carrying.

Type of stand	Reference	Printable substrates
Container version	SC3X3C	POP310ECOS POPNC400
Bag version	SC3X3H	

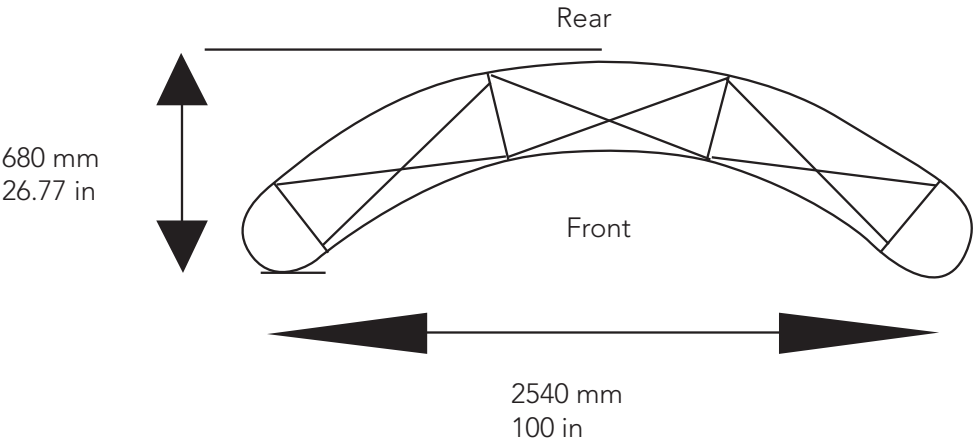
↘ Accessories for the curved pop-up display stand

Description	Reference
Supplied with a 30-m (32.81-yd) magnetic tape, 5 hangers and 3 kickers of 673 mm (26.50 in.) to attach the graphics to the front face.	SC3X3SPMAV
Supplied with a 15-m (16.40-yd) magnetic tape, 3 hangers, 3 kickers of 805 mm (31.69 in.) and 6 magnetic bars to attach the graphics to the rear side.	SC3X3SPMAR
15-mm (0.59-in.), luxury wooden table top to be mounted on the rigid moulded container for use as a reception counter.	TOPDESK
150W spot lights. Sold in pairs w 150-W spotlights for the pop-up display stand.	SPOT



Dimensions

Dimensions of stand



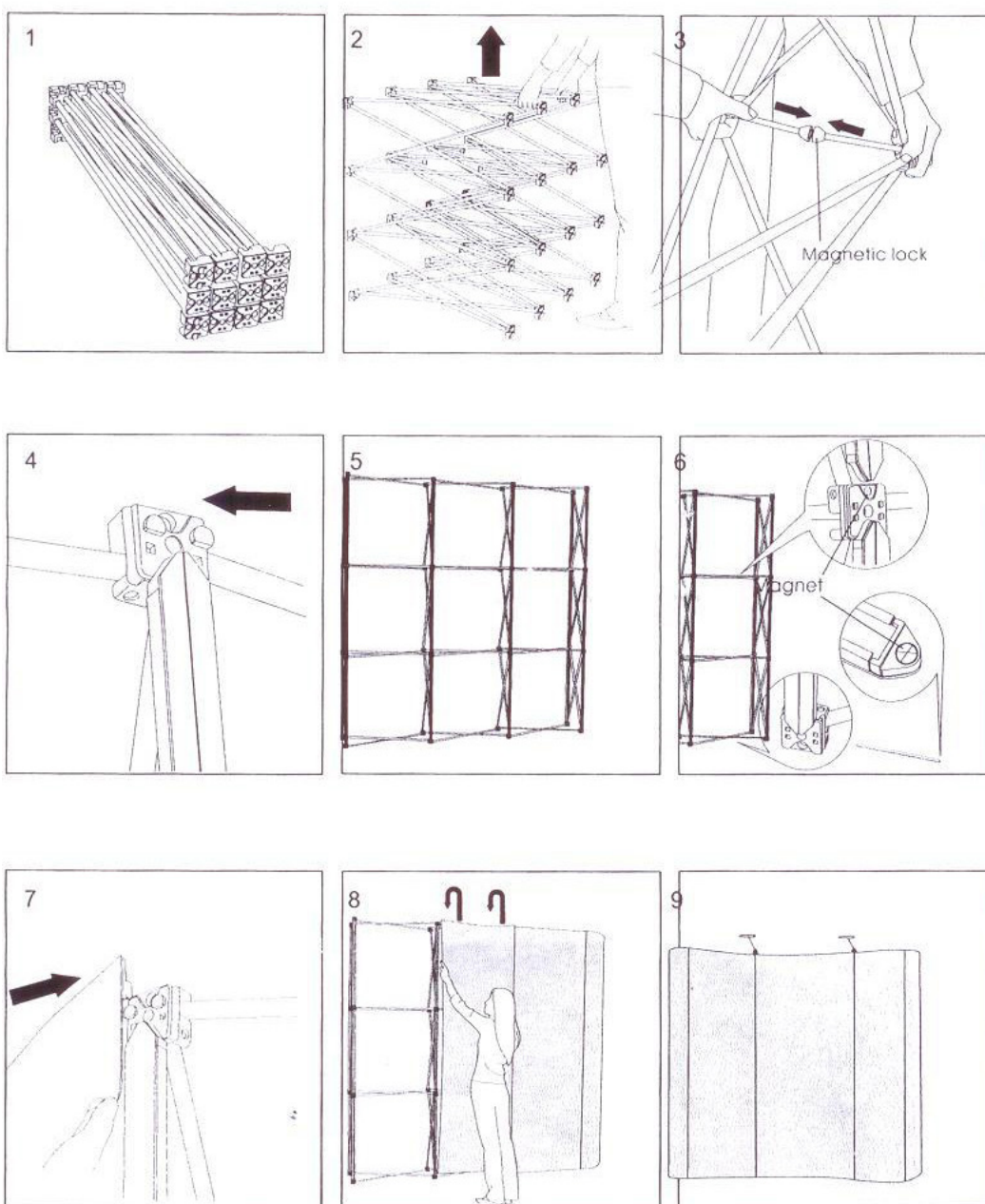
Recommended HEXIS printing media:
POP310ECOS and
POPNC400 polyester films, PSPOP laminate

Dimensions of graphic

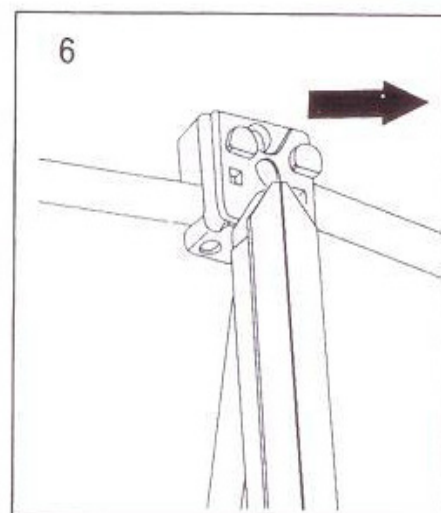
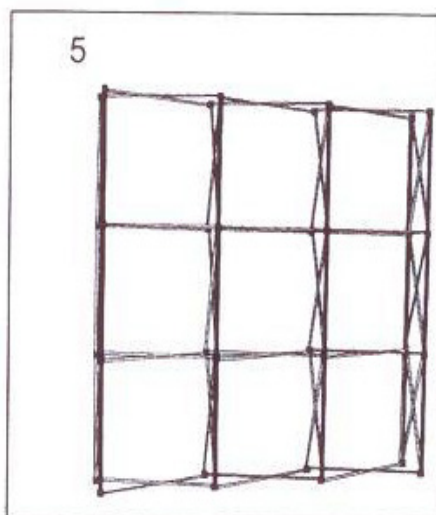
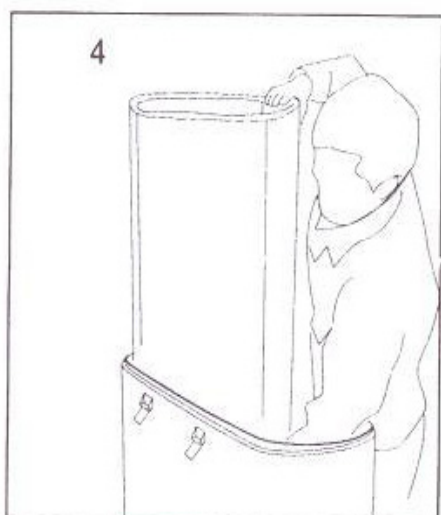
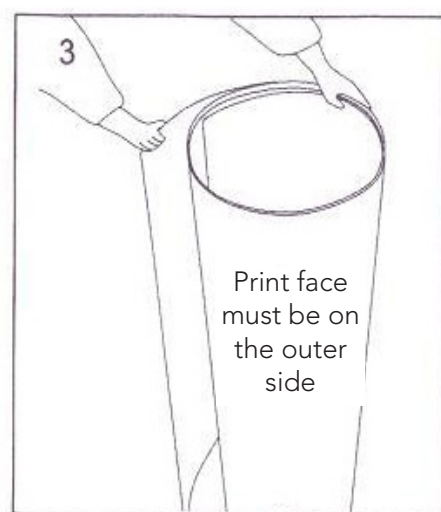
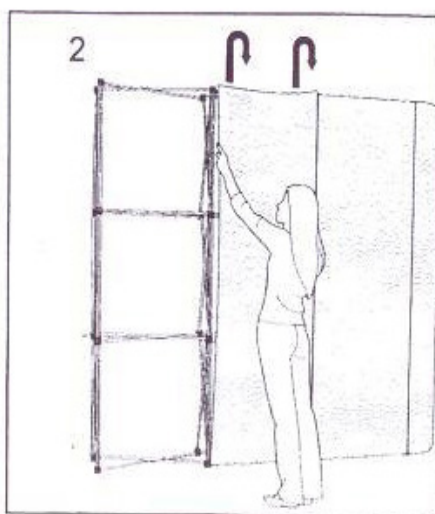
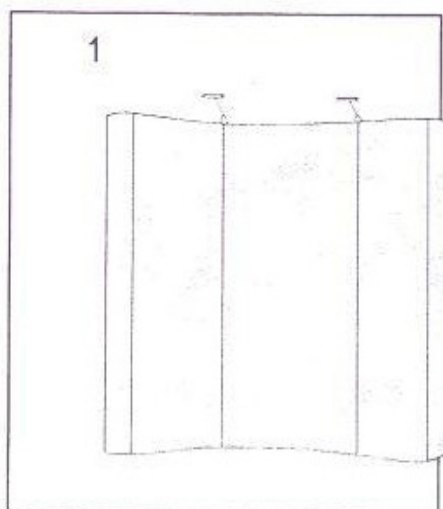
Curved part				Curved part
Width 673 mm (26.50 in.)	Front Width 673 mm (26.50 in.)	Front Width 673 mm (26.50 in.)	Front Width 673 mm (26.50 in.)	Width 673 mm (26.50 in.)
Height 2230 mm (87.80 in.)	Rear Width 805 mm (31.69 in.)	Rear Width 805 mm (31.69 in.)	Rear Width 805 mm (31.69 in.)	Height 2230 mm (87.80 in.)
	Height 2230 mm (87.80 in.)	Height 2230 mm (87.80 in.)	Height 2230 mm (87.80 in.)	



Assembly



Disassembly



Disassembly

